

ANGLE	± 5°	REV	LOCAS	DESCRIPTION	DESIGN	DATE	卫国峰
X.XXX	± 0.05	01			DRAWN	DATE	尚伟
X.XX	± 0.15	02			CHECKED	DATE	吴汉学
X.X	± 0.25	03			AUDITED	DATE	龚劲松
X	± 0.50	04			APPROVED	DATE	eric

Specifications/备注 (Remark)

1-材料 (MATERIAL)

胶芯: PPS+30%G. UL94V-0, 颜色: 黑色
 Housing: PPS+30%G. UL94V-0, Color: Black
 端子: 黄铜

Contact: Brass CuZn 36Pb3 (C3600)

相配针: ϕ 0.41mm

Connecting Pin: ϕ 0.41mm

2-特性 (characteristics):

额定电流: 1.0 AMP

Raring Current: 1.0AMP .

接触阻抗: 10m Ω MAX.

Contact Resistance: 10m Ω MAX .

绝缘阻抗: 1000M Ω MIN.

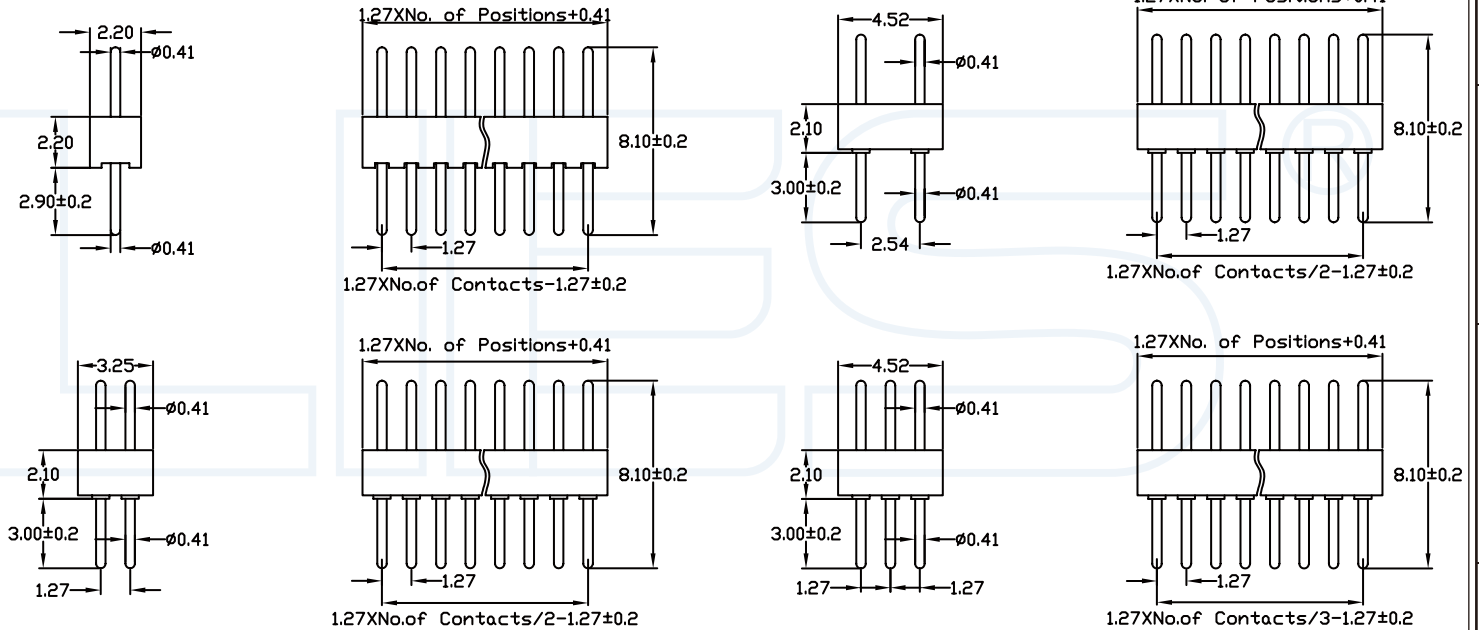
Dielectric strength: Min 1000V RMS

Stright socket connector:solder tail
 single row

Availability from:2 to 50 contacts
 Standard number of contacts 25 and
 50

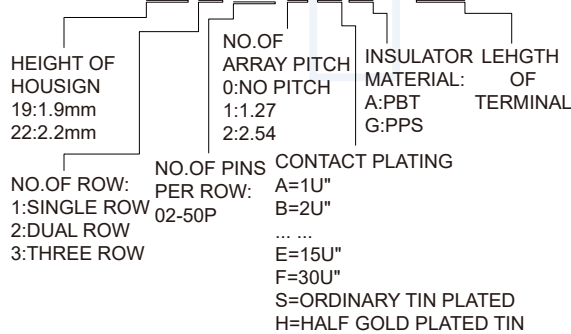
Stright socket connector:solder tail
 double row

Availability from:4 to 100 contacts
 Standard number of contacts 50 and
 100



ORDERING INFORMATION

R13XX-X XX X X X S 081 1



Stright socket connector:solder tail
 double row with 2.54mm rowto row
 distance

Availability from:4 to 100 contacts
 Standard number of contacts 100

Stright socket connector:solder tail
 triple row

Availability from:6 to 150 contacts
 Standard number of contacts 150

YLIES 东莞市瑞翔精密连接器有限公司
 DONG GUAN YLIES PRECISE CONNECTOR CO.,LTD

Tel:0769-85381995 / Fax:0769-85493987 / Email: ylies@ylies.cn / Web:www.ylies.cn

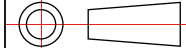
TITLE

237-1.27mm 圆孔排针 180度

DATE

2018-02-18

PROJECTON



REV

A

UNIT

mm

SCALE

1:1

PAGE

1/1

PART NO:

R13XX-XXXXXXS0811

DRAWING NO: